

KEYS FOR INSERT



Three different multi-keys: top drawing: multi-key with four key grips:

P/N 291135: Triangular 8, Square 6, Square 8 and DIN 5. The hexagon opening in the centre of the key works as a bit holder for a standard screwdriver-style bit.

Bottom drawing: multi-key with two key grips are available in two different versions:

P/N 291100-2435-01: DIN 5 and Hex 10 (shown)

P/N 291100-2430-01: DIN 5 and Deutsche Bahn (also known as DB)

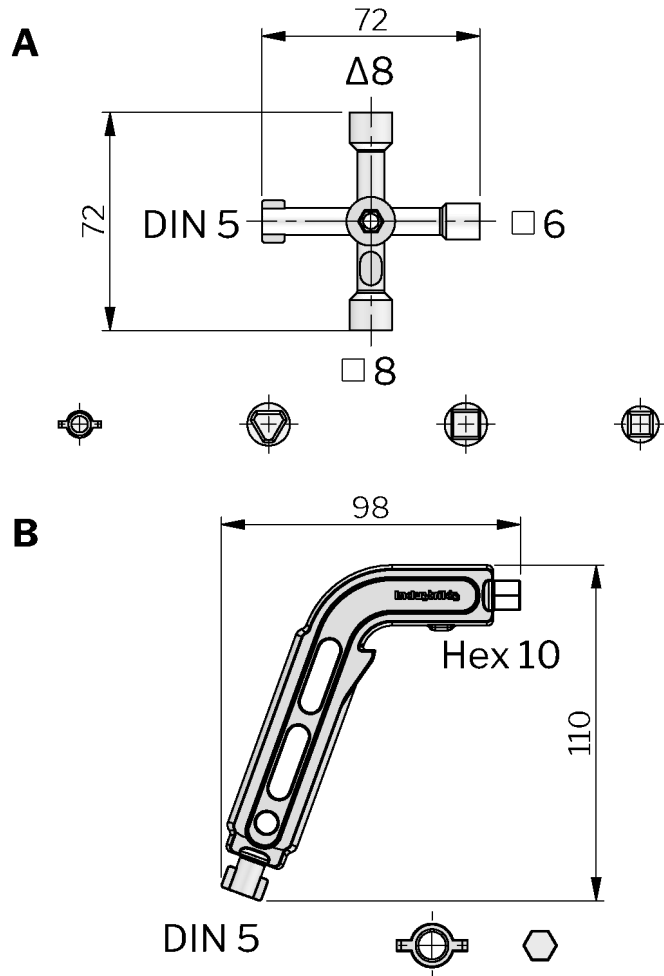


MATERIAL

Key: Zinc die cast, zinc plated

TECHNICAL INFORMATION

On request, key 291153/-57 can be made with a combination of other inserts and / or customer logotype. Other colours on request. DIN 5 also known as Double Bit 5



P/N	Description	Drawing
291135	Four-way multi-key with bit holder (top drawing)	A
291100-2435-01	Two-way multi-key with bits Hex 10 and DIN 5 (bottom drawing)	B
291100-2430-01	Two-way multi-key with bits Deutsche Bahn and DIN 5	Not shown

